

specification guide

eurocell window & door systems

The specification of PVC-u windows / doors is a complex subject. The need to balance an ideal requirement against an actual budget can be difficult.

For this reason, specifiers are recommended to obtain "project specific" advice from Eurocell's technical department. However, the following provides an initial guide.

Fabrication

All main profiles are of multi-chambered construction for enhanced thermal performance, strength and effective segregation of reinforcement from drainage channels. However, transoms and mullions can also be mechanically jointed using specially designed tooling and reinforcement. All frames must be manufactured in strict accordance with the Eurocell technical manual.

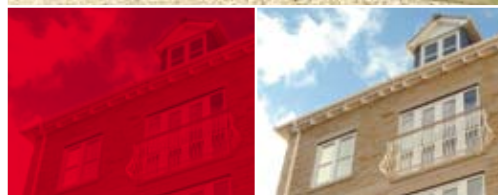


Weather Performance

Windows must conform to the provisions of BS 6375 Part 1, classifications for weather tightness as follows:

- i. Air permeability - 300 Pascals minimum.
- ii. Water tightness - 300 Pascals minimum.
- iii. Wind resistance - according to the design wind resistance not less than 1000 Pascals.

Specifiers are recommended to seek guidance from the Eurocell technical department for actual requirements of specific schemes / strengths.



accreditations

eurocell window & door systems



Assessment report number 1547.
The Eurocell 60mm window system.



Assessment report number 1421.
The Eurocell 70mm window system.



Assessment report number 01/3784.
The Eurocell cladding system.



Assessment report number 01/3783
The Eurocell roofline system.



Assessment report number 2480.
The Eurologik window.



Assessment report number 2663.
The Eurologik Ovolo system.



Assessment report number 06/4366.
The Eurocell Cavity Closer System.



Assessment report number 2663.
The Eurocell Vertical Slider System.



Assessment report number 04/4156.
The Pinnacle conservatory roofs.



Eurocell is a member of the British Plastics Federation.

The British Plastics Federation group give the codes of practice guidelines and recommendations for both surveying and installation.



LAPFAG Approval
Eurocell is an approved supplier of the Local Authority PVC-u Frame Advisory Group.

Eurocell's 60mm and 70mm windows systems are supplied to an increasing number of Local Authority PVC-u window fabricating workshops.



Eurocell's BS7950 high security windows have gained secured by design status.



The Bay-Bee compact conservatory has achieved LANTAC type approval.



Part L England & Wales
The Eurocell 60mm & 70mm system passed assessment for thermal transmittance test report number E01030191/2 N.P.L test house.
Part J Scotland.



BS 7413
(certificate number KM 32821)

Specification for white PVC-u extruded hollow profiles with heat welded corner joints for plastic windows. Eurocell 60mm window system, type 'A' material.



BS 7413
(certificate number KM 32821)

Specification for white PVC-u extruded hollow profiles with heat welded corner joints for plastic windows. Eurocell 70mm window system, type 'A' material.



BS 7413
(certificate number KM 32821)

Specification for white PVC-u extruded hollow profiles with heat welded corner joints for plastic windows. Eurocell Eurologik window system, type 'A' material.



BS 7950
(certificate number KM 52187)

Specification for enhanced security performance of casement windows for domestic applications.
Eurocell 60mm window system.



BS 7950
(certificate number KM 52187)

Specification for enhanced security performance of casement windows for domestic applications.
Eurocell 70mm window system.



BS 7950
(certificate number KM 52187)

Specification for enhanced security performance of casement windows for domestic applications.
Eurocell Eurologik window system.



BS EN ISO 9001:2000
(CERTIFICATE NUMBER FM 45551)

BSI registered firm. FM 45551.
Quality Management System.

ISO 14001

ISO 14001 Accreditation
Eurocell's environmental management activities are ISO 14001 accredited.

PAS 23/24

(70mm Window System)

BBA test centre. To-PAS 23-1.
Assessment report number 1894.
Mila test centre Report number 1892
Certificate number 1663. To-PAS 24-1.
The Eurocell 70mm window system.

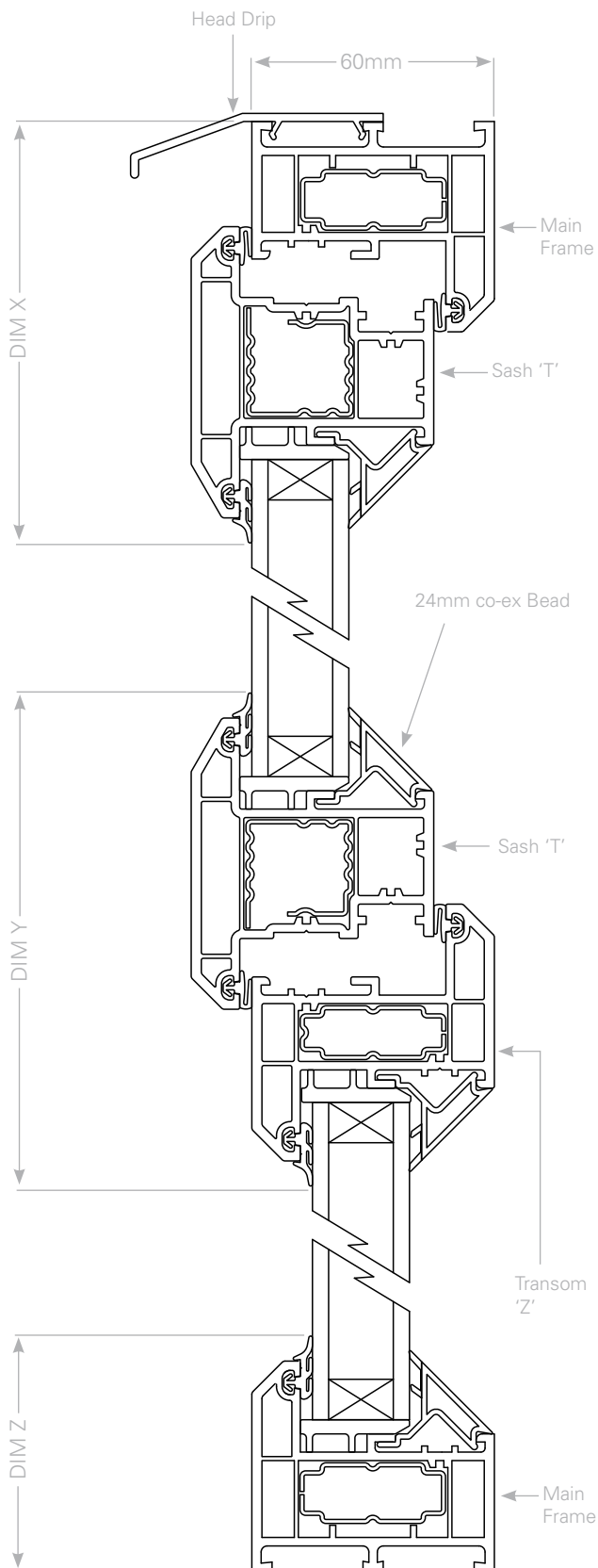
PAS 23/24

(Eurologik Door System)

BBA test centre. To-PAS 24.
BSI assessment number KM500319.
Certificate number 1663. To-PAS 23-1.
BSI assessment number. KM500319.
Eurocell Eurologik door system.

casement window

outward opening inward glazed - vertical section



Frame/Dimension	Dimension X
Small Main Frame (NBC 6001) with Sash T (NBC 6005) or Ovolo Sash T (NBC 6025)	104mm
Intermediate Main Frame (NBC 6021) with Sash T (NBC 6005) or Ovolo Sash T (NBC 6025)	112mm
Large Main Frame (NBC 6006) with Sash T (NBC 6005) or Ovolo Sash T (NBC 6025)	125mm

Frame/Dimension	Dimension Y
Transom Z (NBC 6003) with Sash T (NBC 6005) or Ovolo Sash T (NBC 6025)	122mm
Intermediate Transom Z (NBC 6023) with Sash T (NBC 6005) or Ovolo Sash T (NBC 6025)	139mm

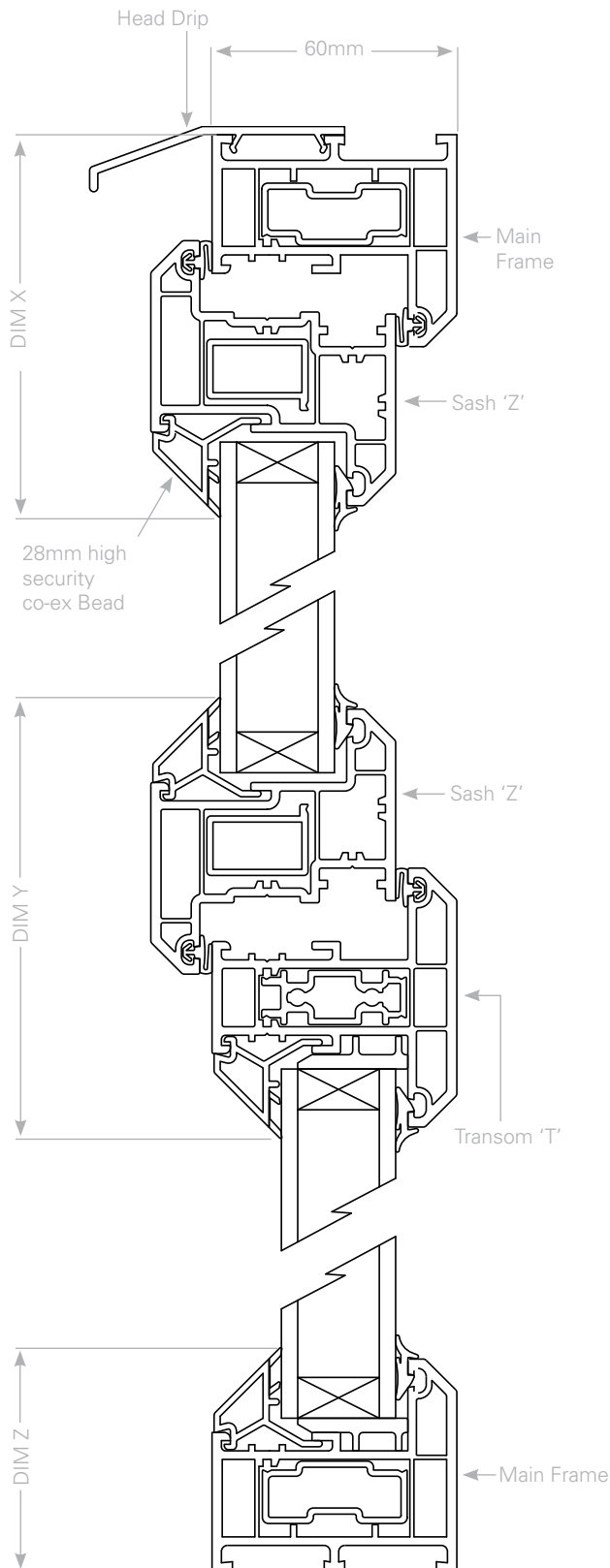
Frame/Dimension	Dimension Z
Small Main Frame (NBC 6001) or Ovolo Sash T (NBC 6025)	58mm
Intermediate Main Frame (NBC 6021) or Ovolo Sash T (NBC 6025)	66mm
Large Main Frame (NBC 6006) or Ovolo Sash T (NBC 6025)	79mm



60mm

casement window

outward opening outward glazed - vertical section



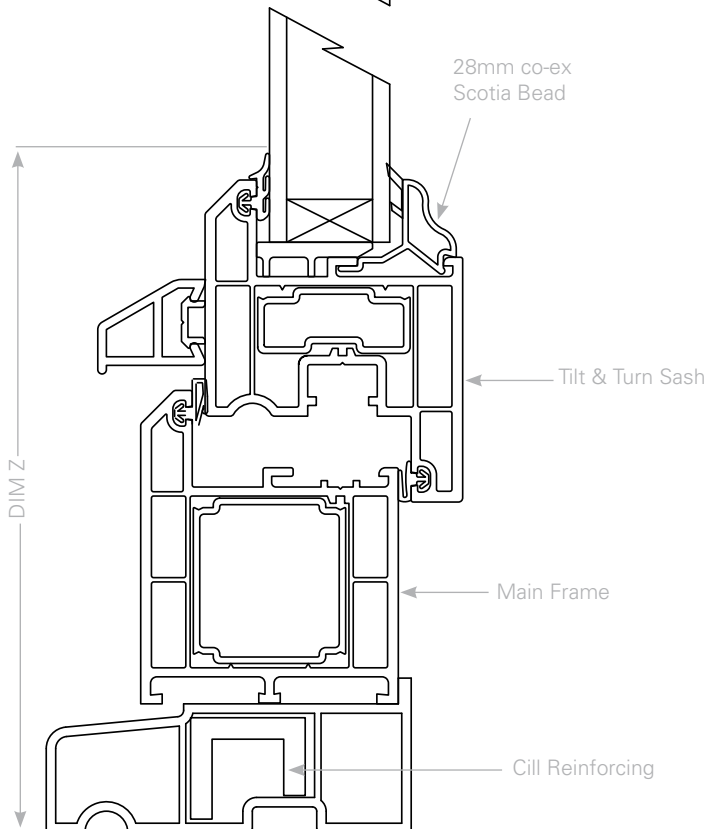
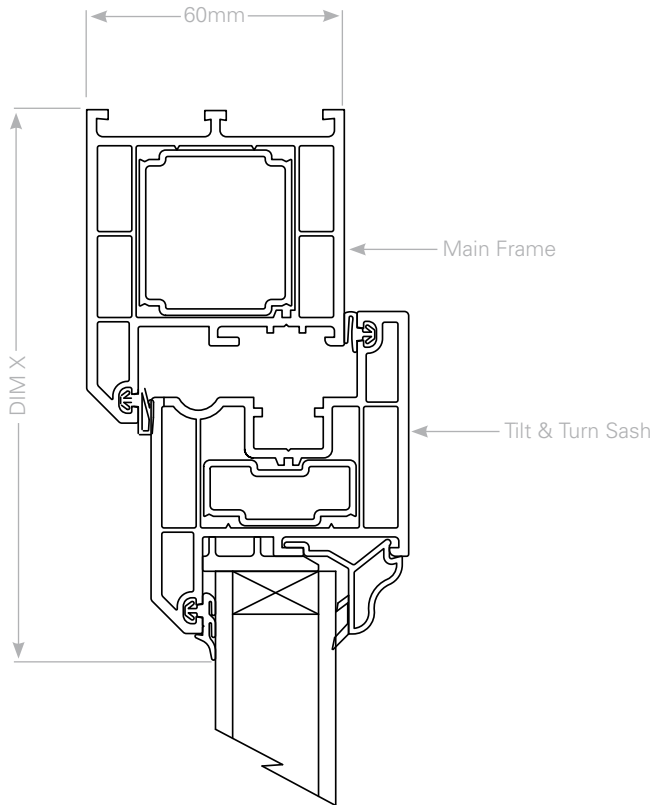
Frame/Dimension	Dimension X
Small Main Frame (NBC 6001) with Sash Z or Ovolo Sash Z (NBC 6024)	93mm
Intermediate Main Frame (NBC 6021) with Sash Z (NBC 6004) or Ovolo Sash Z (NBC 6024)	101mm
Large Main Frame (NBC 6006) with Sash Z (NBC 6034) or Ovolo Sash Z (NBC 6024)	114mm

Frame/Dimension	Dimension Y
Transom T (NBC 6002) or Screw Ported Transom T (NBC 6034) with Sash Z (NBC 6004) or Ovolo Sash Z (NBC 6024)	108mm
Intermediate Transom T (NBC 6012) with Sash Z (NBC 6034) or Ovolo Sash Z (NBC 6024)	125mm

Frame/Dimension	Dimension Z
Small Main Frame (NBC 6001)	54mm
Intermediate Main Frame (NBC 6021)	62mm
Large Main Frame (NBC 6006)	75mm

tilt & turn window

vertical section



Frame/Dimension	Dimension X
Intermediate Main Frame (NBC 6021) with Tilt & Turn Sash T (NBC 6007)	115mm
Large Main Frame (NBC 6006) with Tilt & Turn Sash (NBC 6007)	128mm

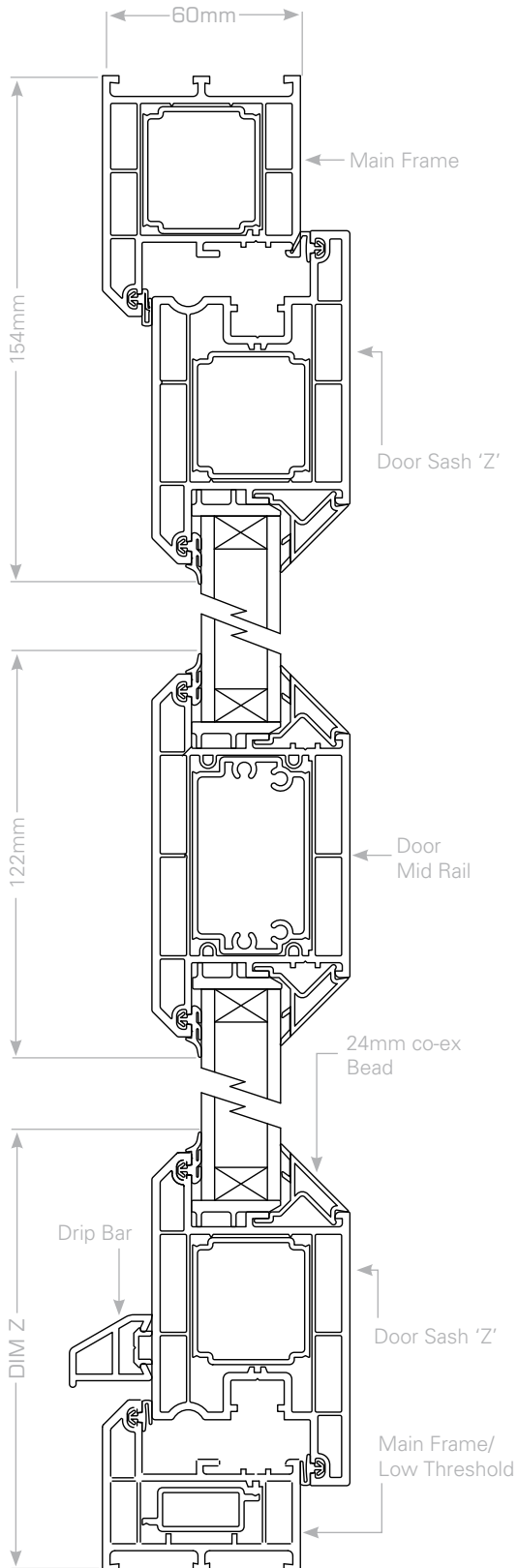
Frame/Dimension	Dimension Z
Intermediate Main Frame (NBC 6021) with Tilt & Turn Sash T (NBC 6007) & Stub Cill (BS 85)	145mm
Large Main Frame (NBC 6006) with Tilt & Turn Sash (NBC 6007) & Stub Cill (BS 85)	158mm

60mm



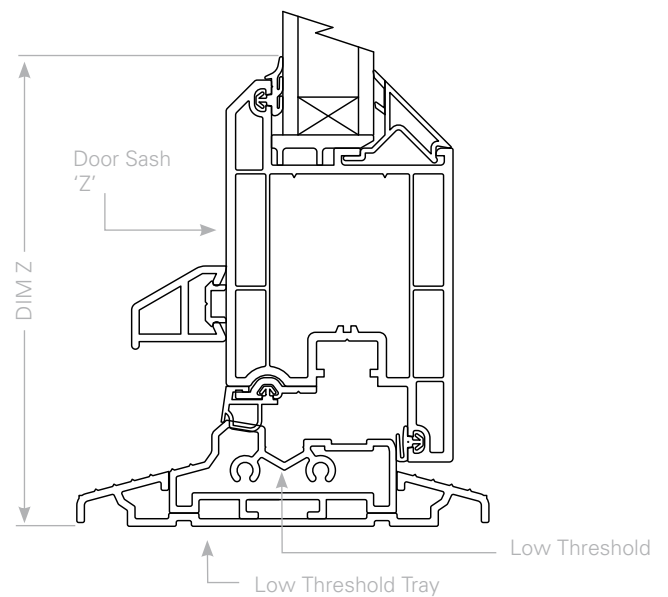
residential door

inward opening inward glazed - vertical section



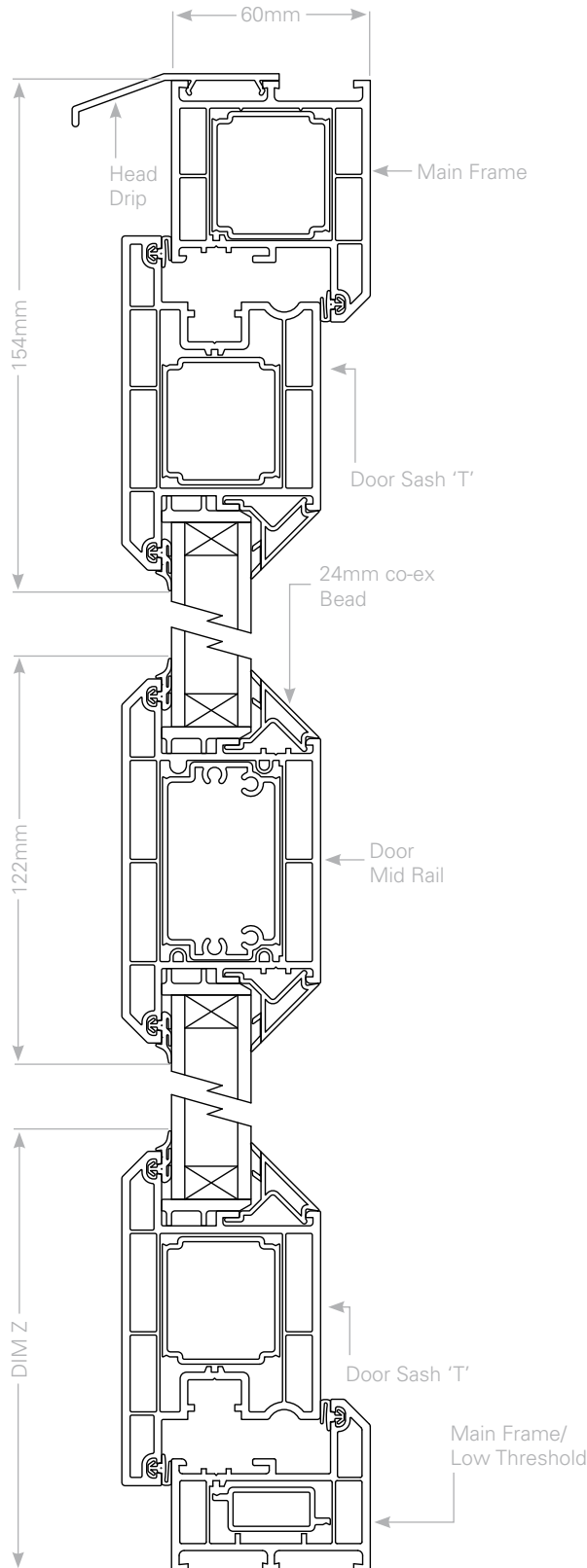
Frame/Dimension	Dimension Z
Door Sash Z (NBC 6008) with Small Main Frame (NBC 6001)	133mm
Door Sash Z (NBC 6008) with Intermediate Main Frame (NBC 6021)	141mm
Door Sash Z (NBC 6008) with Large Main Frame (NBC 6006)	154mm
Door Sash Z (NBC 6008) with Low Threshold Tray (NBC 6540A) & Low Threshold (NBC 6541A)	124mm
Door Sash Z (NBC 6008) with Low Threshold (NBC 6541A)	122mm

Option using Low Threshold Assembly



residential door

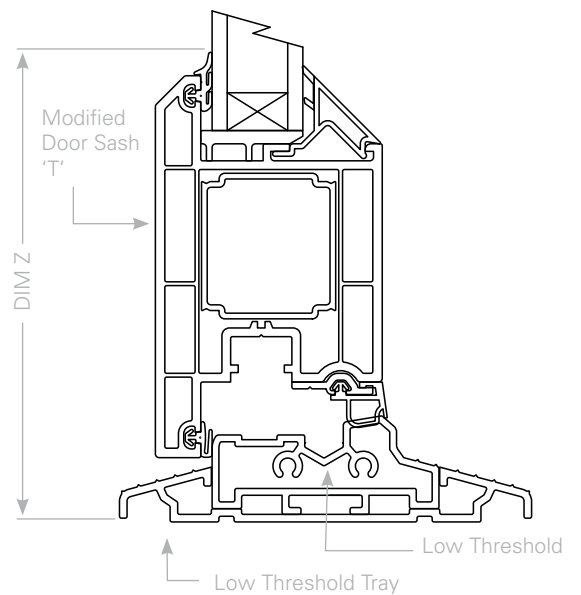
outward opening inward glazed - vertical section



Frame/Dimension	Dimension Z
Door Sash T (NBC 6018) with Small Main Frame (NBC 6001)	133mm
Door Sash T (NBC 6018) with Intermediate Main Frame (NBC 6021)	141mm
Door Sash T (NBC 6018) with Large Main Frame (NBC 6006)	154mm
Door Sash T (NBC 6018) with Low Threshold Tray (NBC 6540A) & Low Threshold (NBC 6541A)	124mm
Door Sash T (NBC 6018) with Low Threshold (NBC 6541A)	122mm

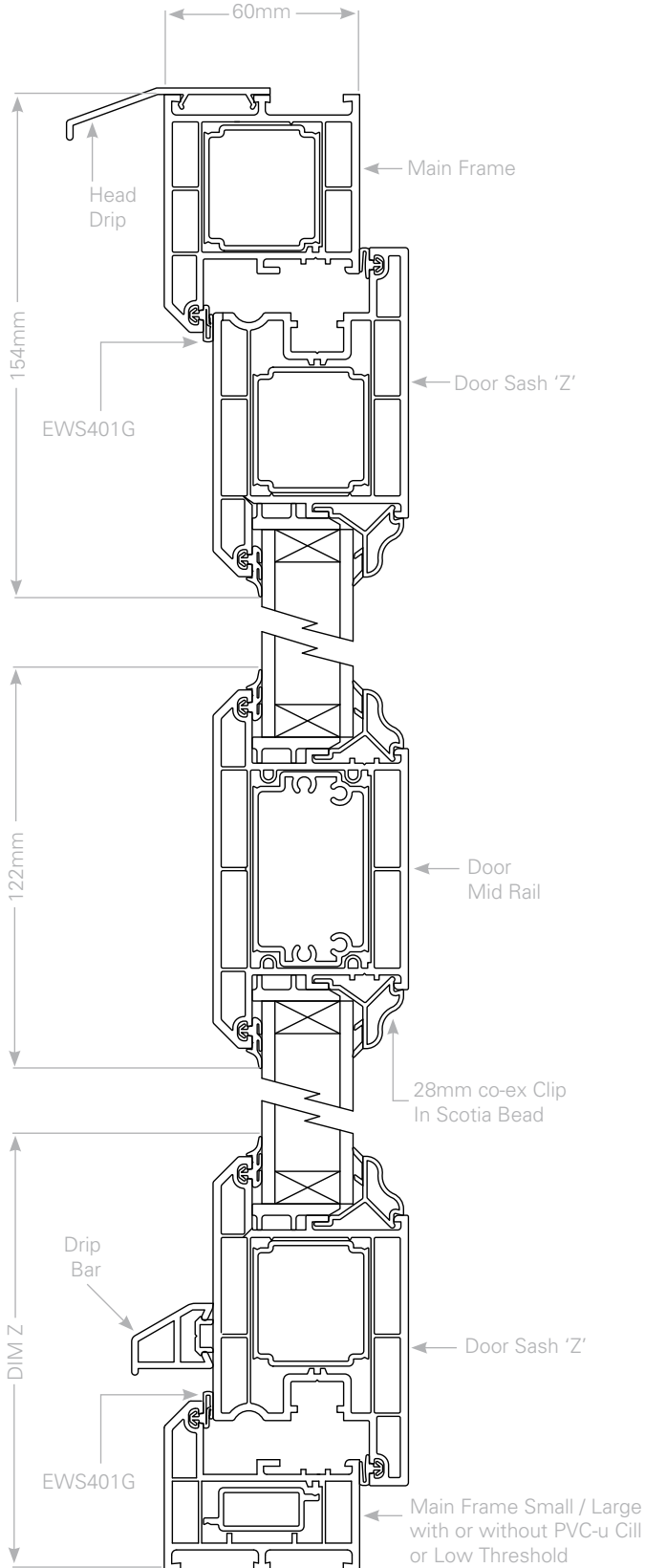
60 mm

Option using Low Threshold Assembly



french doors

inward opening inward glazed - vertical section

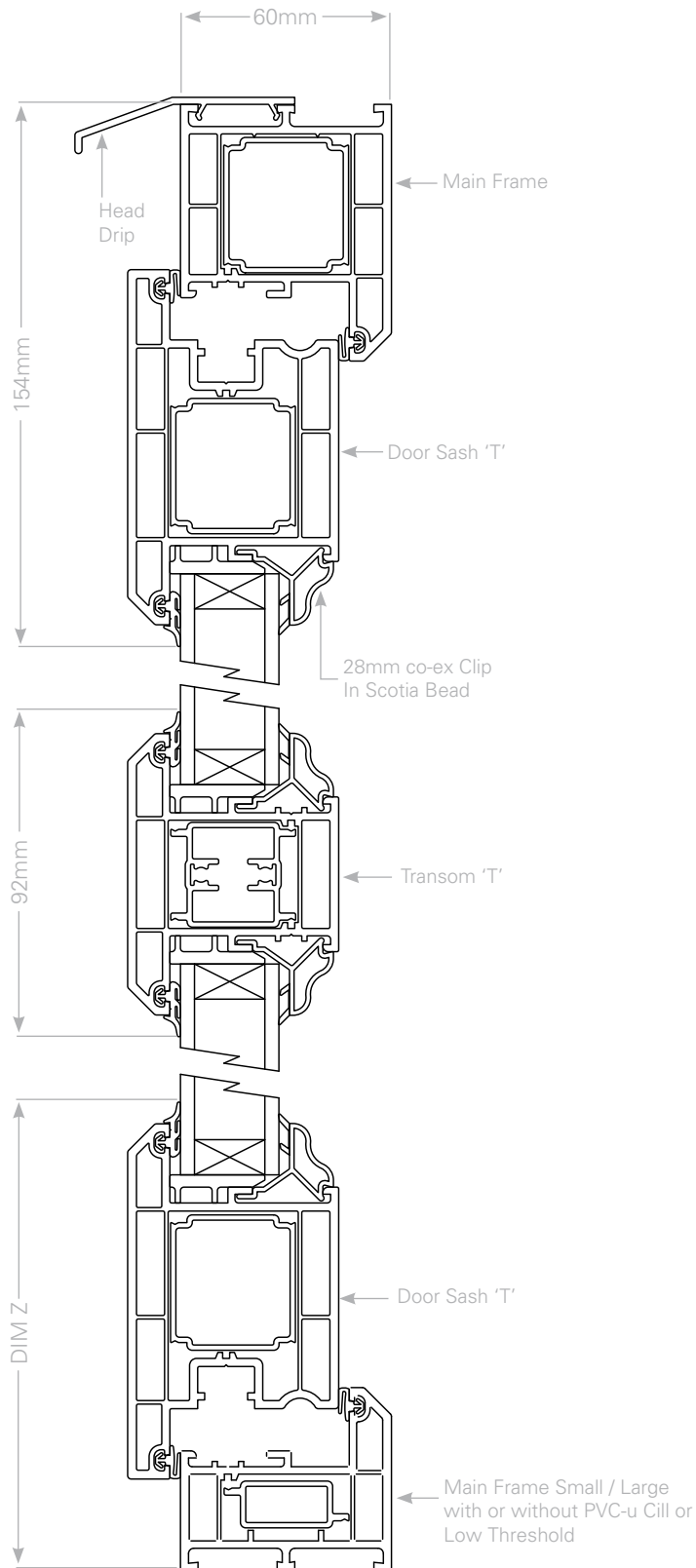


Frame/Dimension	Dimension Z
Door Sash Z (NBC 6008) with Small Main Frame (NBC 6001)	133mm
Door Sash Z (NBC 6008) with Intermediate Main Frame (NBC 6021)	141mm
Door Sash Z (NBC 6008) with Large Main Frame (NBC 6006)	154mm
Door Sash Z (NBC 6008) with Low Threshold Assembly (NBC 6540A & NBC 6541A)	124mm



french doors

outward opening inward glazed - vertical section



Frame/Dimension	Dimension Z
Door Sash T (NBC 6018) with Small Main Frame (NBC 6001)	133mm
Door Sash T (NBC 6018) with Intermediate Main Frame (NBC 6021)	141mm
Door Sash T (NBC 6018) with Large Main Frame (NBC 6006)	154mm
Door Sash T (NBC 6018) with Low Threshold Assembly (NBC 6540A & NBC 6541A)	124mm

60mm





french doors

meeting style outward opening - vertical section

